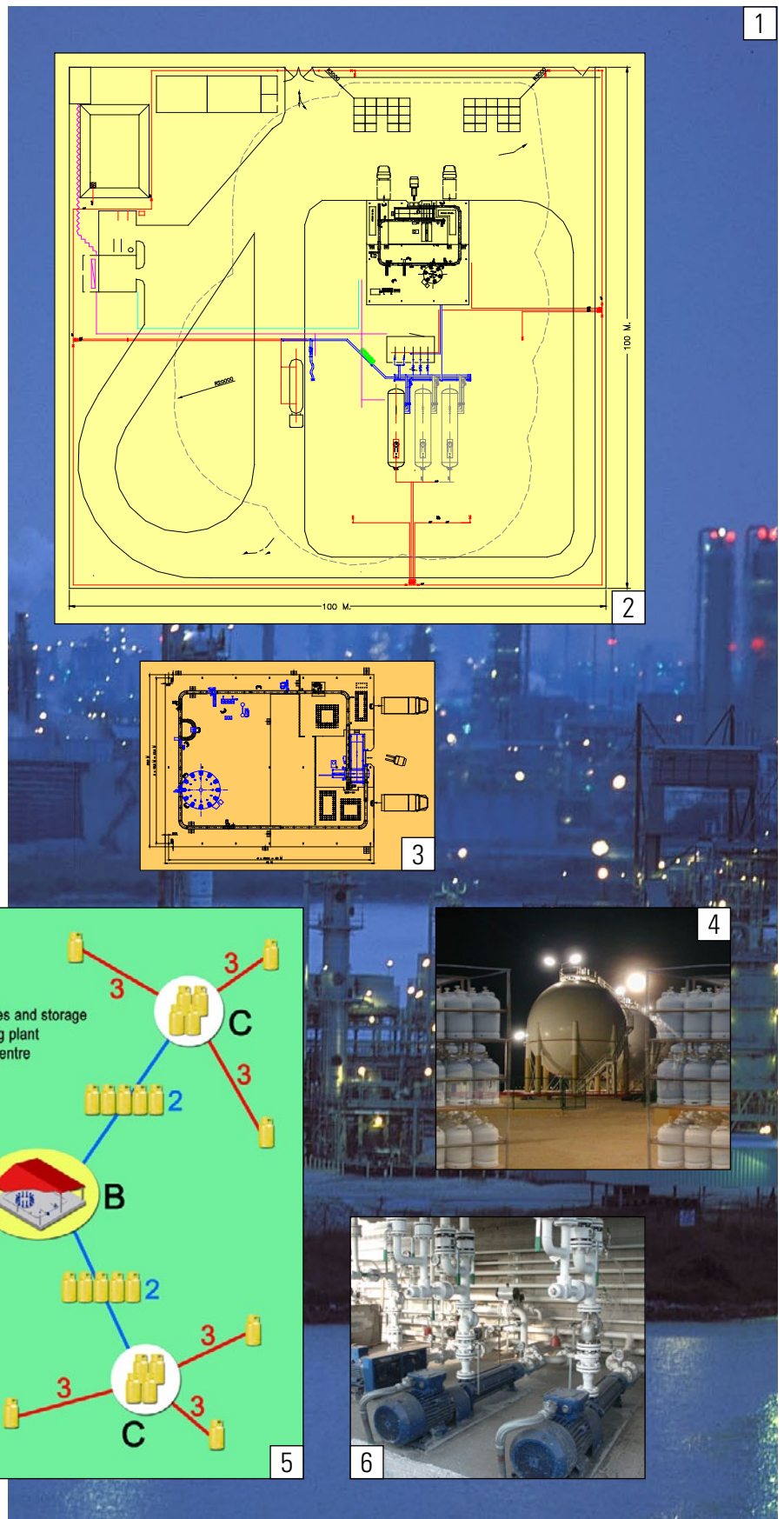
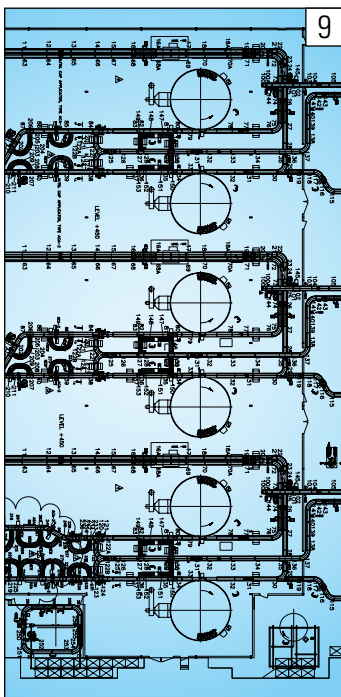
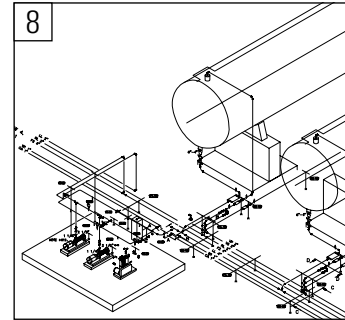


*Kosan Crisplant's staff of experts makes calculations and dimensioning within all fields related to installation, extension, upgrading and renovation of filling plants, LPG storage facilities, distribution centres and maintenance plants. In addition our staff also elaborates market analyses, operational analyses and efficiency tasks for customers all over the world.*

- Kosan Crisplant has more than 50 years' experience in engineering and analytic work
- Make use of Kosan Crisplant's extensive knowledge about the LPG business
- Tailor-made solutions
- No job is too small or too big for Kosan Crisplant – all jobs are exciting jobs





### Your possibilities

- General layouts
- Layouts for filling plants
- Layouts for maintenance plants
- LPG pump and piping installations
- Fire water installations, incl. electric, diesel or gas driven pumps
- Compressed air installations
- Fire and gas alarm systems
- Complete tank yards for LPG storage
- Engineering of power supply
- Civil works

- Foundation drawings
- P & I diagrammes (piping and instruments)
- Provision of pressure test certificates, material certificates etc.
- Elaboration of market analyses
- Elaboration of operational analyses
- Elaboration of efficiency tasks
- Consultancy

### Your safety

- Engineering according to all known international norms
- National/local approvals

### Your benefits

- All engineering work delivered by one supplier
- Clear vendor/client interface
- Competitive prices
- Homogenous basis for dimensioning and design
- Future-oriented solutions
- Fully documented engineering job
- Layouts are elaborated on the basis of thorough logistical analyses

