

Kosan Crisplant's seal application systems are designed for application of all kinds of shrinkable seals on LPG cylinder valves.

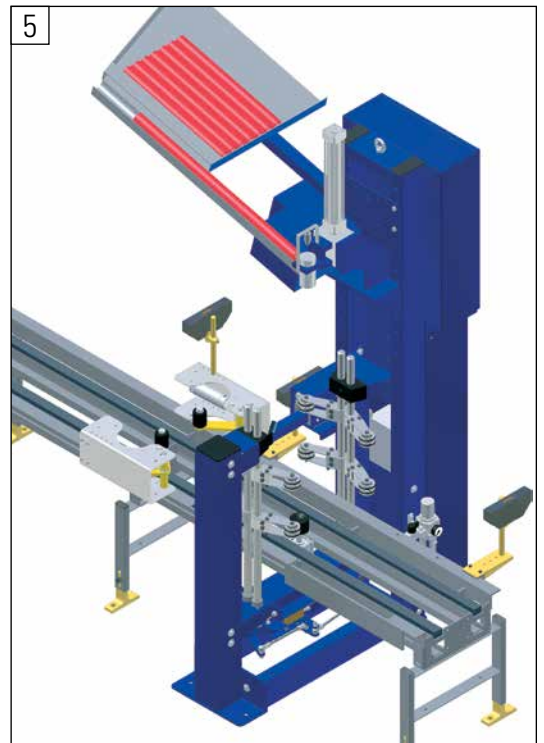
- Sealing of both centre valves and screw valves
- Sealed valves are protected and safe valves
- Automatic application of shrinkable seals or caps
- High capacity
- Minimum space requirements

Your benefits

- Savings on manpower
- Avoid one-sided repeated work
- Automatic feeding of shrinkable seals from buffer storage

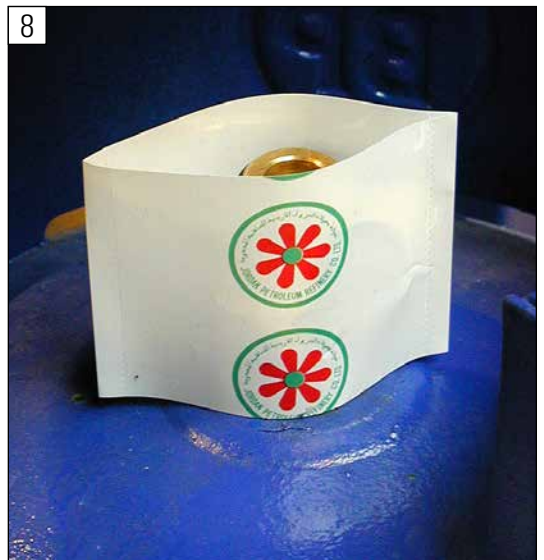


Examples of shrinkable caps



Fully automatic cap applicator

Fully automatic sleeve applicator



- Integrated control and supervision unit initiates stop when buffer storage is empty
- Uniform application of shrinkable seals
- No human errors

Your possibilities

- In-line installation in standard chain conveyor systems
- Supply of hard caps with gas-tight sealing
- Installation of a thermosealing machine right after the seal application system
- Supply of shrinkable sleeves in rolls with automatic cut off
- Supply of shrinkable caps in sticks
- Supply of hard caps in bulk



Examples of shrinkable caps



Examples of shrunk caps using a thermosealing machine

Fully automatic cap applicator



Your safety

- Ex marking according to the ATEX Directive and applicable EN standards: **CE** **Ex** II 2G Ex h IIB T3 Gb
- All seal application systems are intended for operation in hazardous areas classified as Zone 1 or Zone 2 according to EN/IEC 60079-10-1
- All seal application systems are designed and validated in accordance with a certified ISO:9001 quality management system; furthermore, they are designed according to all relevant requirements set out in applicable EU Directives